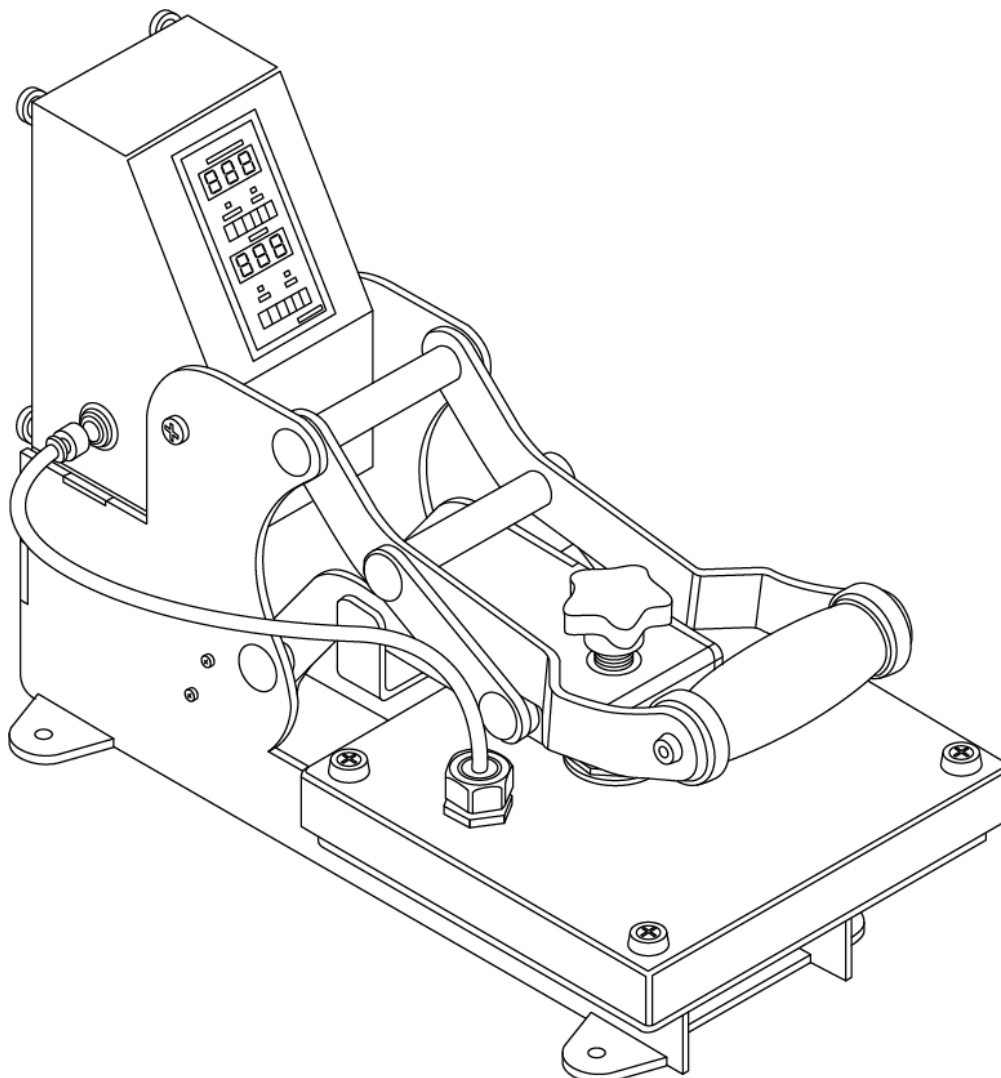




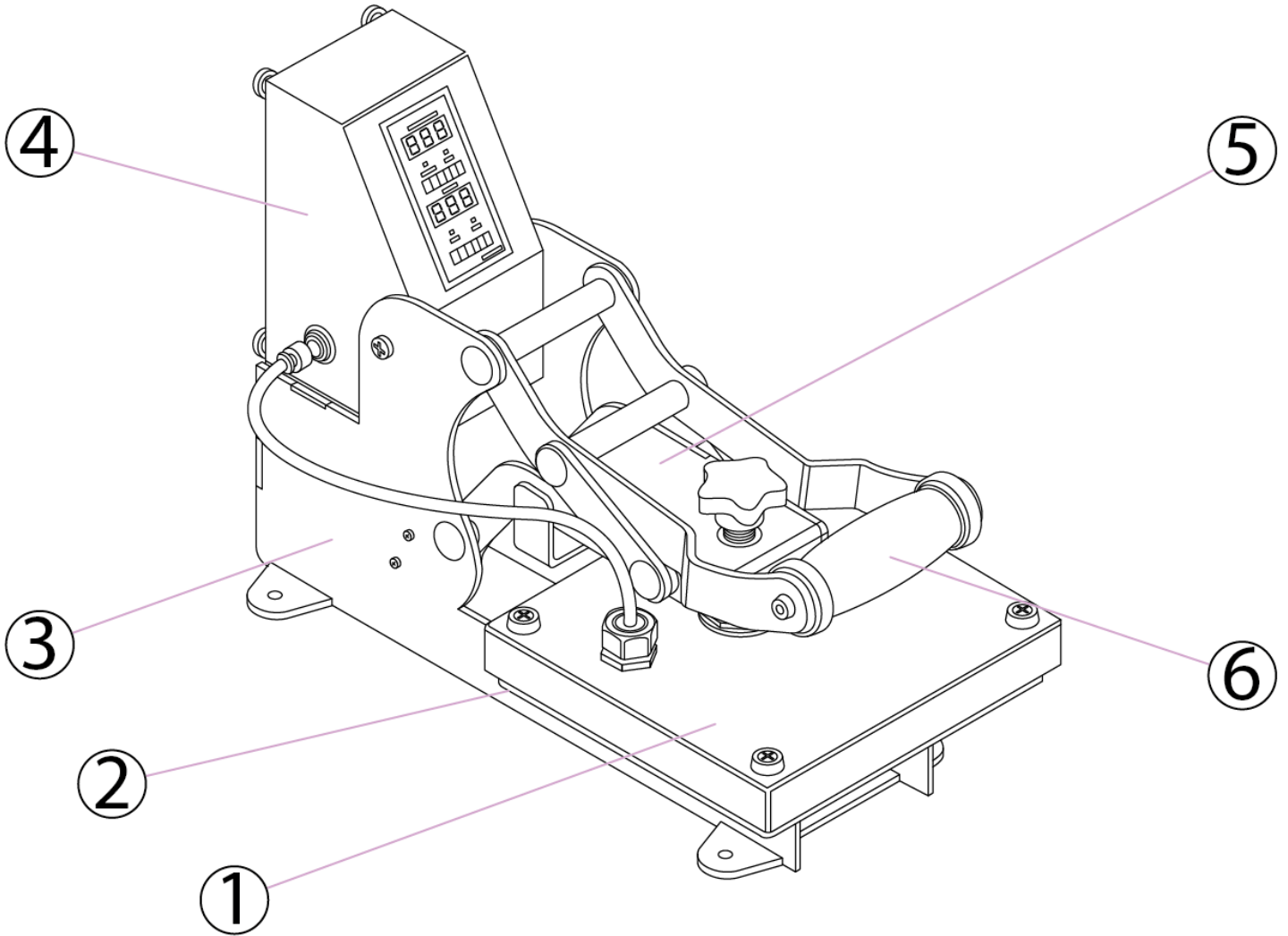
# Mini 66 Heat Press (15cm x 15cm) Model No.: HPD.MINI66



## CONTENTS.

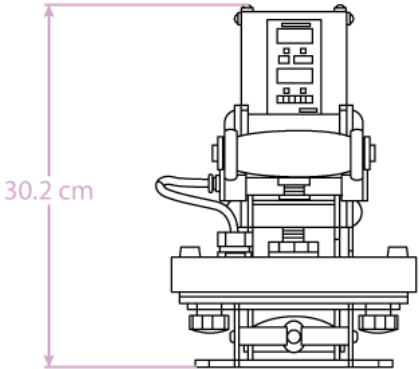
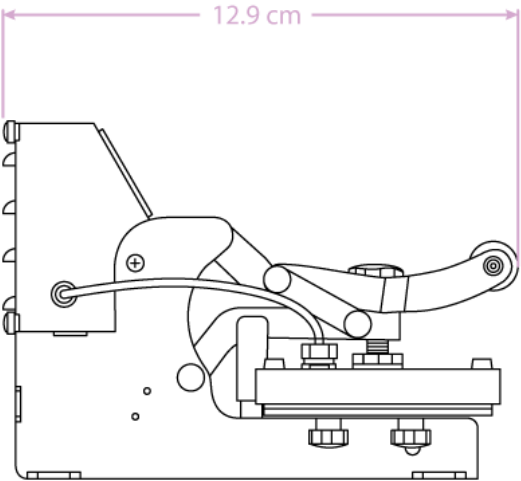
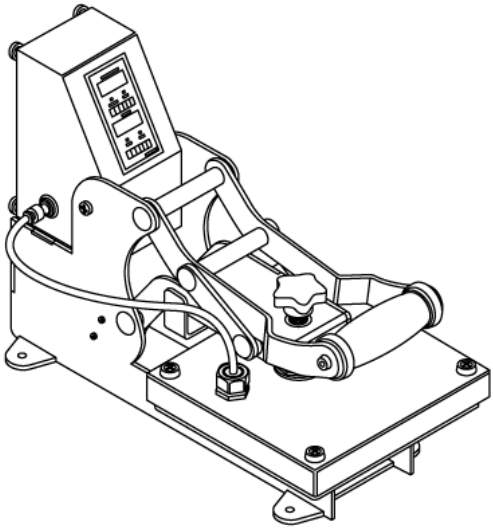
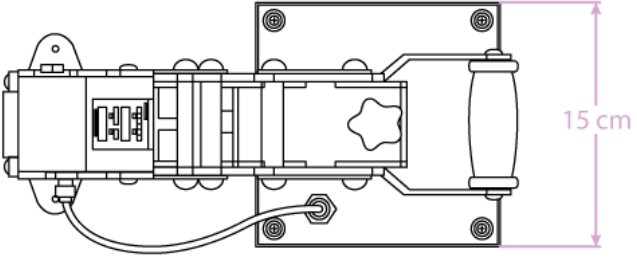
I.	Assembly Drawing	2
II.	Dimensions	3
III.	Operating Process	4-5
IV.	Maintenance	6
V.	Heat Plate Temperature Measurement	7
VI.	Electrical Diagram	8
VII.	Exploded Diagram	9-10
	Declaration of Conformity	11

# I. Assembly Drawing.



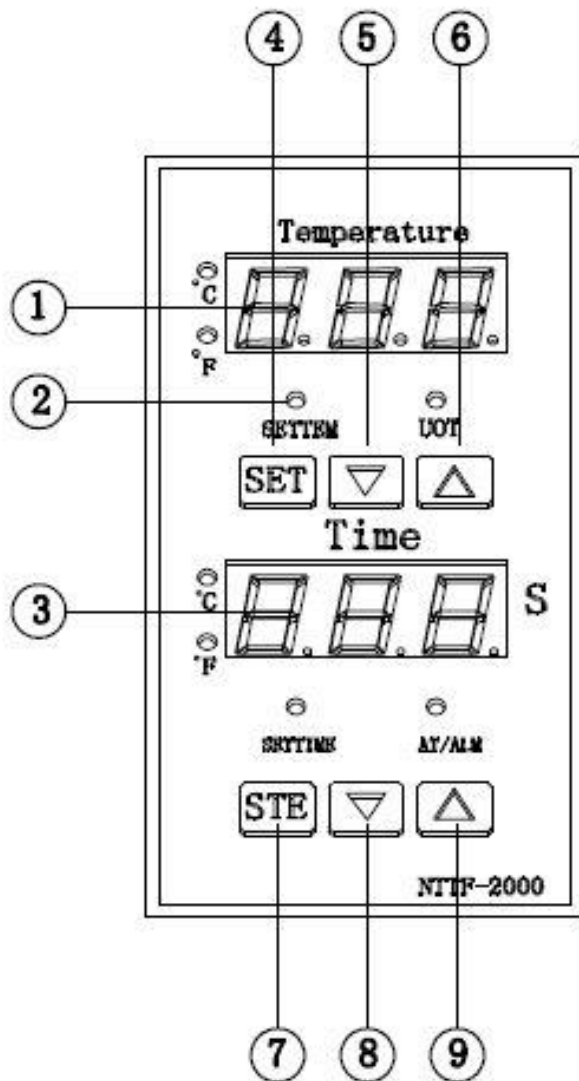
- 1) Heat Platen
- 2) Table
- 3) Machine Frame
- 4) Machine Cover
- 5) Machine Arm
- 6) Machine Handle

# II. Dimensions.



### III. Operating Process.

#### 1. Brief instruction for Digital Controller.



1. Temperature display (red colour): To display set and actual temperature.
2. Green light to show the set temperature.
3. Time display (red colour): To display set time.
4. For changing the set temperature value.
5. Set temperature decrease key.
6. Set temperature increase key.
7. For changing the set time value.

8. Set time decrease key.

9. Set time increase key.

## **2. Machine Operation:**

### **Step 1:**

Make sure the machine is plugged in and switched on.

Place the printable blanks in the heat platen, and transfer paper with images facing down the blanks, adjust moderate pressure, use heat resistant tape to fix the transfer paper, make sure transfer paper is exactly attached to blanks.

### **Step 2:**

After power on, there will be full display on upper and under meter about within 10 seconds.

1. Set temperature required: press "SET" button on the upper controller, then the indicator "SETTEM" is lit; the upper panel displays the temperature value, Press ▲ or ▼ button to set the temperature value you need.
2. Set time required: press "SET" button on the bottom controller, the indicator "SETTEM" is lit; the lower panel displays the value of time, Press ▲ or ▼ button to set the time value you need.

### **Step 3:**

When the temperature rises to the set temperature, the buzzer sounds; then operate the machine, (meantime the buzzer sounds stop) and transfer begins. At the same time, the time count down starts.

### **Step 4:**

Once time is up, lift the handle and take out the finished substrates.

**Note:** Using the similar way when you need to transfer other substrates by using the plain heat platen. But the printing parameters are different for different items.

### **Recommendations:**

1. Key chains and photo slate transfer:
  - Set temperature: 180°C
  - Set time 100 – 120 seconds
2. Jigsaw puzzle transfer:
  - Set temperature: 180°C
  - Set time 60 – 80 seconds
3. Wallet transfer:
  - Set temperature: 180°C
  - Set time 120 – 140 seconds

## **IV. Maintenance.**

**1. If the colour is not as bright as photo after printing.**

Solution(s):

- a. Adding transfer time
- b. Increasing transfer temperature

**2. If the print colour is too brown or the transfer paper is almost burnt.**

Solution: Reduce the setting temperature

**3. If the print is blurring.**

Solution: Reduce the transfer time

**4. If print colour is different/partial transfer effect is not good enough.**

- a. The pressure is not correct (use more pressure).
- b. The job has not been pressed for long enough.
- c. The transfer paper is of a poor quality.

**5. Transfer paper sticks to the object after transfer cycle.**

- a. The temperature is too high.
- b. The ink quality is poor.

**6. Prolonging your machines useable life.**

Add lubrication oil regularly.

**7. Ensuring heat transfer quality.**

Take care of your press by storing carefully when not in use.

**8. Site the machine in a dry place and on a firm and stable surface.**

**9. Always use quality replacement parts fitted by a competent person.**

**10. If your press will not work please contact [support@heatpressesdirect.com](mailto:support@heatpressesdirect.com)**

**11. The following checks should be carried out at regular intervals by a qualified and competent person:-**

- Electrical connections
- Mechanical moving parts

## V. Heat Plate Temperature Measurement

**Testing of the Heat Plate** for temperature consistency or fault condition should only be undertaken after consulting a qualified engineer, and then only using a wired Digital Thermometer (**\*please see note below**).

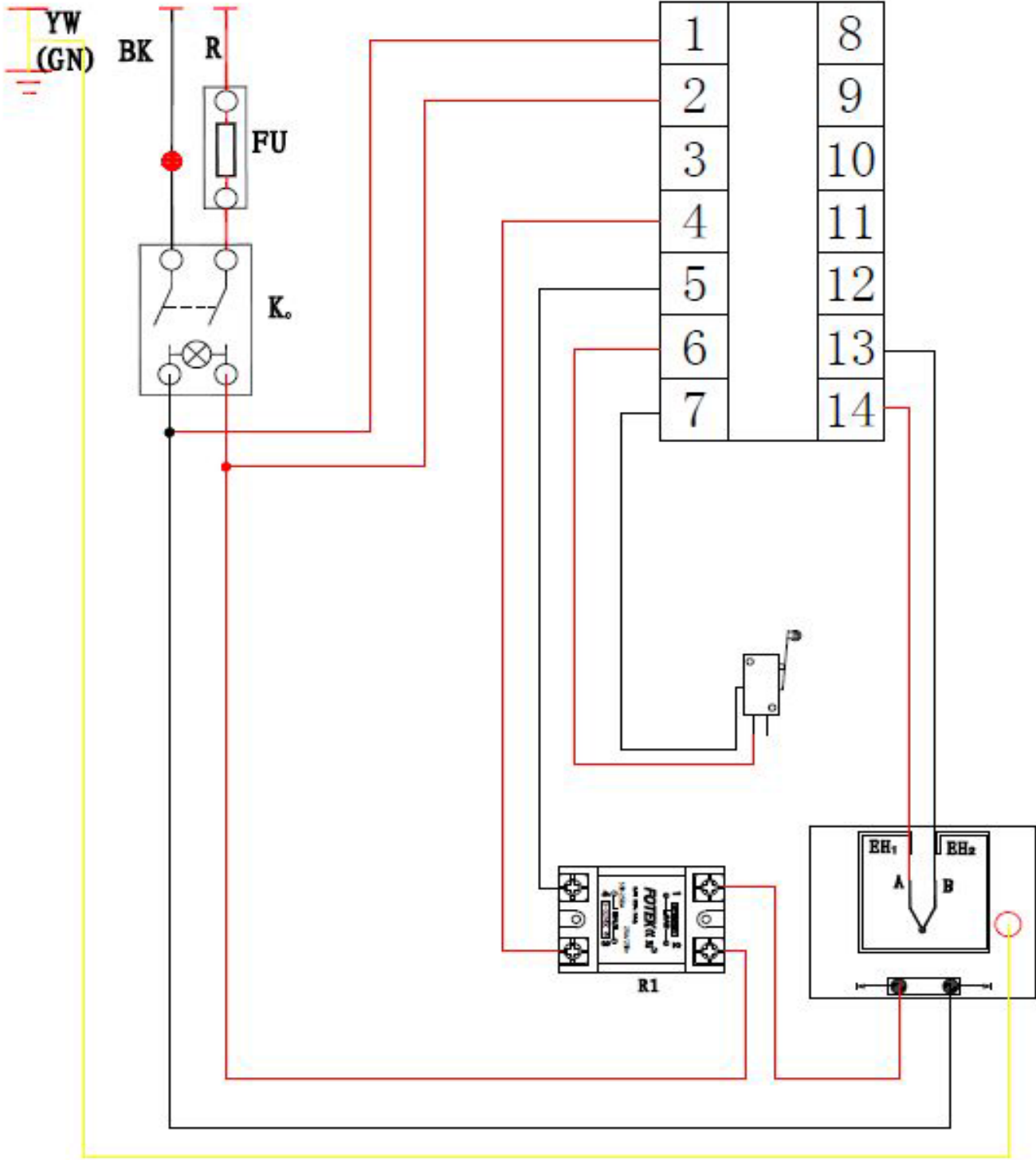


**\*Please Note:**

**The Digital Thermometer with external probe** is suitable for surface, air and immersion/penetration measurement, which is required for all Heat Presses Diect heat presses.

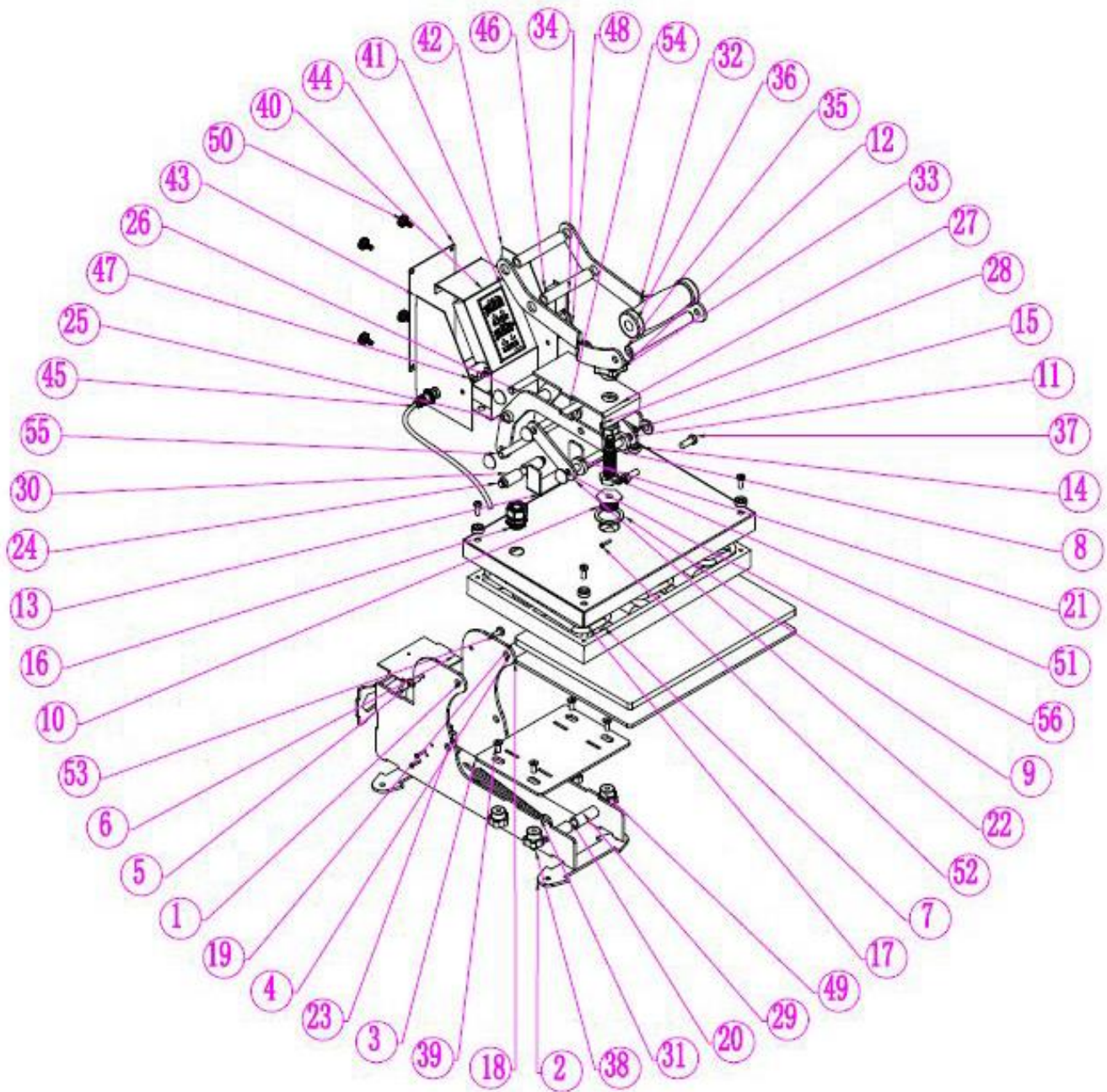
**Laser Thermometers only measure air surfaces** which can be misleading due to currents of hot air floating on the surface of the heat plate.

# VI. Electrical Diagram.





## VII. Exploded Diagram.



Item	Part Name	Specification	Quantity
1	Left Panel		1
2	Fixing Plate		2
3	Under Platen Fixing Plate		1
4	Right Panel		1
5	Rear Fixing Plate		1
6	Electrical Case Base Plate		1
7	Heat Platen		1
8	Heat Platen Cover		1
9	Spacer	Ø30x2	1
10	Coupling Nut	M20	1
11	Adjusting Screw	M16x73	1

12	Adjustment Hand Well	M8	1
13	Anti-Shake "U" Shape Plate		1
14	Plastic Washer		4
15	Half Round Head Screws	M6x10	4
16	Amphenol Connector		1
17	Heating Tube		1
18	Lower Platen	150x150x5	1
19	Silicon Pad	150x150x10	1
20	Spring Fixing Axis	Ø10x92	1
21	Heat Isolation Unit		2
22	Connecting Piece		2
23	Limit Switch		1
24	Spring Snap Ring Fixing Axis		1
25	Arm Welding Axis		1
26	Arm Side Panel		2
27	Arm Upper Panel		1
28	Adjusting Nut	M16	1
29	Spring Heat Isolation Unit		2
30	Spring Heat Isolation	Unit 1	2
31	Spring		1
32	Right Handle		1
33	Left Handle		1
34	Handle Welding Axis		2
35	Fixing Axis for Handles		1
36	Handle Grip		1
37	Handle Locking Screws	M8x15	2
38	Locking Screws for Handle	M6x12	2
39	Under Plate Fixing Screws	M6x10	4
40	Electrical Controller Panel		1
41	Digital Controller/Computer Gauge	NTTH/F-2000	1
42	Electrical Case Right Panel		1
43	Electrical Case Left Panel		1
44	Electrical Case Rear Panel		1
45	Air Plug	Four Pins	1
46	Power Switch		1
47	Relay	SSR-40DA 40A	1
48	Plug Socket Place		1
49	M6 Hand Screws		4
50	Hand-Twisting Screws	M5x10	4
51	Locking Screws	M5x10	1
52	Fixing Screws	M3x15	2
53	Round Headed Screws	M5x15	2
54	Rivets Shaft	Ø10x112	2
55	Rivets Shaft	Ø10x113	2
56	Rivets		8