

SLIDE 1285

MEDIUM FORMAT HEAT PRESS

Example of applications

- * Sports goods.
- * Advertising, flags, banners, accessories.
- * Large photos, posters.
- * Transfer on Hard Substrate (ceramic, aluminum, plastic, wood...)
- * Textile : home finishing, apparel, curtains...
- * Awning

High thermal efficiency.

- Ideal for sublimation with good productivity and flexibility
- Fast startup ! (15 to 20min)
- 125x85cm plate in rectified high quality aluminum to sublimate complete 120x80cm plate
- Multizone heating plate for a perfect heat evenness
- **2-year** guarantee on the machine
- **10-year** guarantee on the heating plate
- Manufactured in France



- Two air cylinders: strong pressure
- Front load sliding plate



Compulsory dedicated support table

Option : table + sideways slider

Technical characteristics

Plates Sizes	1250 x 850 mm
Weight	419 kg
Pressure	232 gr/cm ²
Max Temperature	230°C
Power Supply	400 V 3-phase
Electric Power	12 KW
Amperage	20 A
Compressed air required	4 to 6 bars
Max tickness of materials	50 mm
Air consumption per cycle (2 bars—6 bars)	16 - 49 liters

Control Panel



Electronics developed by Sefa

- Very accurate and fast regulation (PID control) for a wide range of heat transfer products

- Advanced settings :

- * 4 programs time/temperature you can save
- * Resettable counter
- * Double timer
- * User friendly touch screen
- * Temperature probe PT100

From 0 to 30 min (precision +/- 1%)

From 0 to 230°C (Precision +/- 1%)

Heating time to reach 180°C : 15 mn.

Advantages

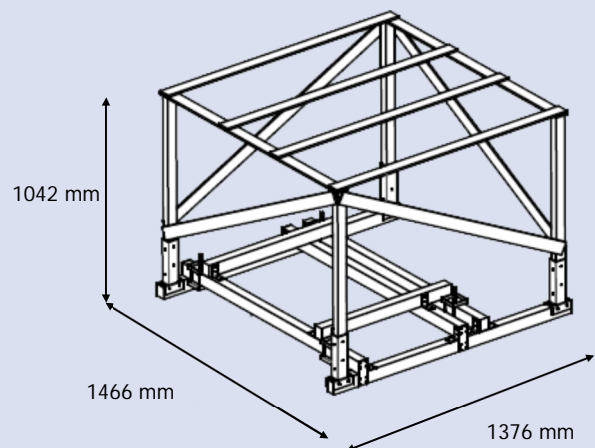
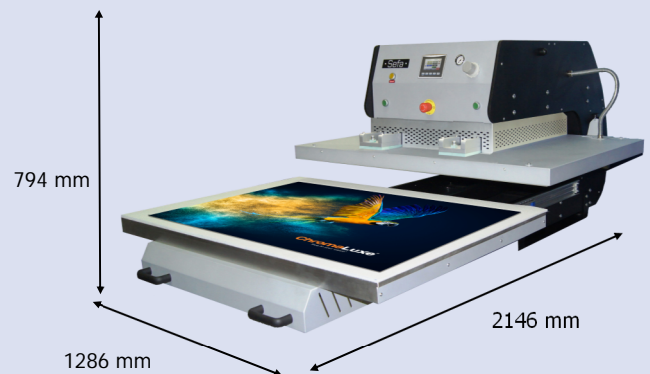
- **Quality :**

- * Sliding lower plate for user friendly preparation from single operator.
- * 2 independent heating zones for very consistent edge to edge temperature control.

- **Mechanics :**

- * Highly robust braced frame for stability under high temperature and pressure.
- * Adjusted and reinforced high quality aluminum upper plate for optimal pressure distribution via two large pneumatic cylinders.

Dimensions



Box weight : 75 kg